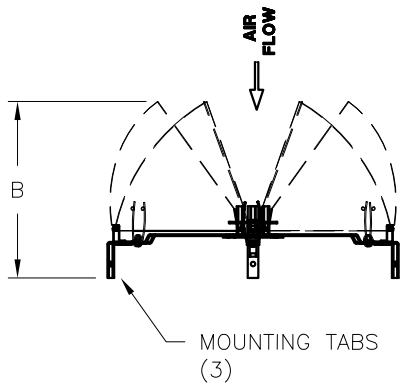
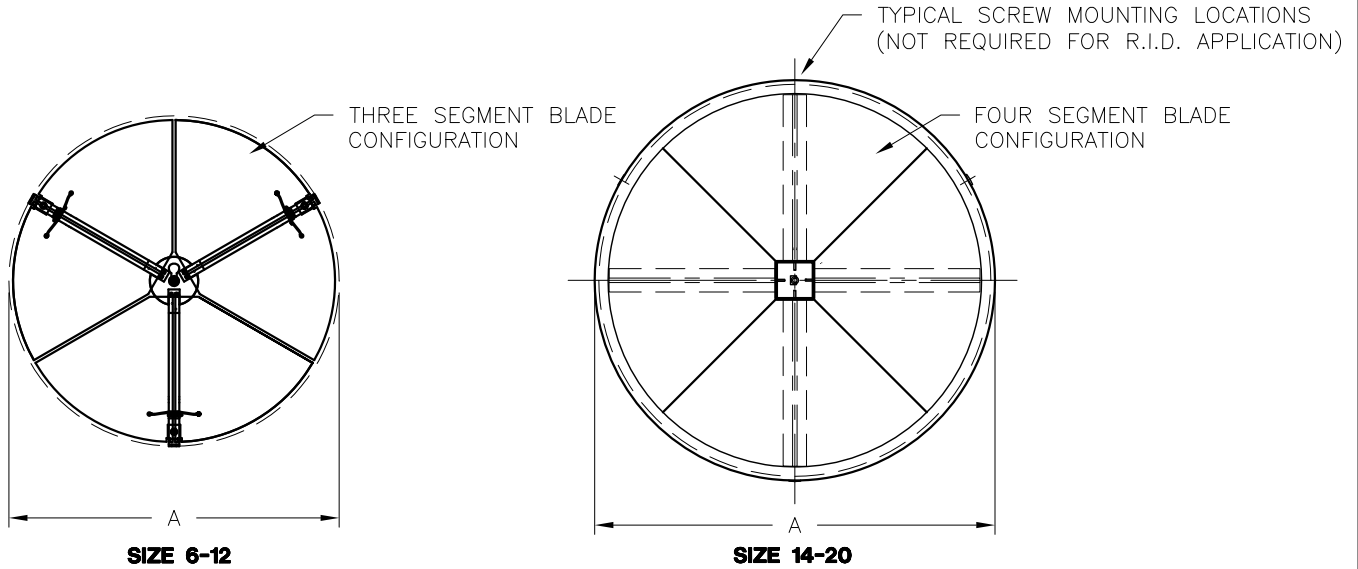
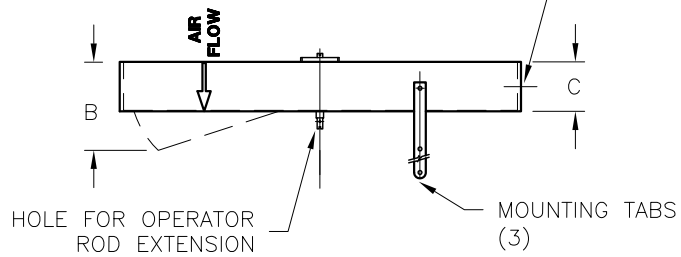


MODEL VCR7 RADIAL OPPOSED BLADE DAMPER



MOUNTING OF DAMPER THROUGH FRAME INTO DUCT - FROM INSIDE OUT. LOCATE SCREWS BELOW BLADE HINGE



NOTE:

VCR7 RADIAL OPPOSED BLADE VOLUME CONTROL DAMPER WITH ROLLED BORDER SLEEVE (SIZE 14-36) FOR DUCT MOUNTED INSTALLATION.

FOR MINIMUM HEIGHT, MOUNT DAMPER DIRECTLY TO DIFFUSER USING CORRECT HOLES IN MOUNTING TAB.
 THREE SEGMENT BLADE CONFIGURATION FOR SIZES 6-12 (SHOWN ABOVE)
 FOUR SEGMENT BLADE CONFIGURATION FOR SIZES 14-20 (SHOWN ABOVE)
 SIX SEGMENT BLADE CONFIGURATION FOR SIZES 24,30&36 (NOT SHOWN)

MATERIAL:

COATED STEEL

OPTION:

OPERATOR ROD EXTENSION FASTENED FROM UNDERSIDE, AS INDICATED ABOVE.

NOM. SIZE	IMPERIAL UNITS			S.I. UNITS		
	A	B	C	A	B	C
6	5 ¹³ / ₁₆ "	4"	-	148	102	-
8	7 ¹³ / ₁₆ "	4 ⁷ / ₈ "	-	198	124	-
10	9 ¹³ / ₁₆ "	5 ³ / ₄ "	-	249	146	-
12	11 ¹³ / ₁₆ "	6 ⁹ / ₁₆ "	-	300	167	-
14	13 ⁷ / ₈ "	4 ⁷ / ₈ "	2 ¹ / ₈ "	352	124	54
15	14 ⁷ / ₈ "	5 ¹ / ₈ "	2 ¹ / ₈ "	378	130	54
16	15 ⁷ / ₈ "	5 ⁵ / ₈ "	2 ¹ / ₈ "	403	143	54
18	17 ⁷ / ₈ "	6 ¹ / ₄ "	2 ¹ / ₈ "	454	159	54
20	19 ⁷ / ₈ "	7"	2 ¹ / ₈ "	505	178	54
24	23 ⁷ / ₈ "	6 ³ / ₄ "	2 ¹³ / ₁₆ "	606	172	72
30	29 ⁷ / ₈ "	8 ¹ / ₄ "	2 ¹³ / ₁₆ "	759	210	72
36	35 ⁷ / ₈ "	9 ³ / ₄ "	2 ¹³ / ₁₆ "	911	248	72

ALL METRIC DIMENSIONS () ARE SOFT CONVERTED. IMPERIAL DIMENSIONS ARE CONVERTED TO METRIC AND ROUNDED TO THE NEAREST MILLIMETER.

PROJECT:		PRICE®
ENGINEER:		
CUSTOMER:		RV
SUBMITTAL DATE:		VCR7
SPEC. SYMBOL:		RADIAL OPPOSED BLADE DAMPER
		223934
		JUNE 2009